

SCREEN MACHINE™

AMERICAN-MADE INNOVATION SINCE 1966

Might II SCREEN PLANT



PORTABLE SCALPING POWER!

- Easy To Transport To Any Worksite
- Patented Smooth Start® Technology
- Exceptional Durability And Productivity

Might II SPECIFICATIONS

Height	9'-9"	2.97m
Length	24'-0"	7.32m
Width	5'-6"	1.68m
Total Weight	4,700 lbs.	2,132Kg

One Cubic Yard (.76m³) hopper with manual tipping grizzly

18" (457mm) wide main belt

3'-0" x 4'-0" (914mm x 1220mm) trommel screen with self-cleaning brush

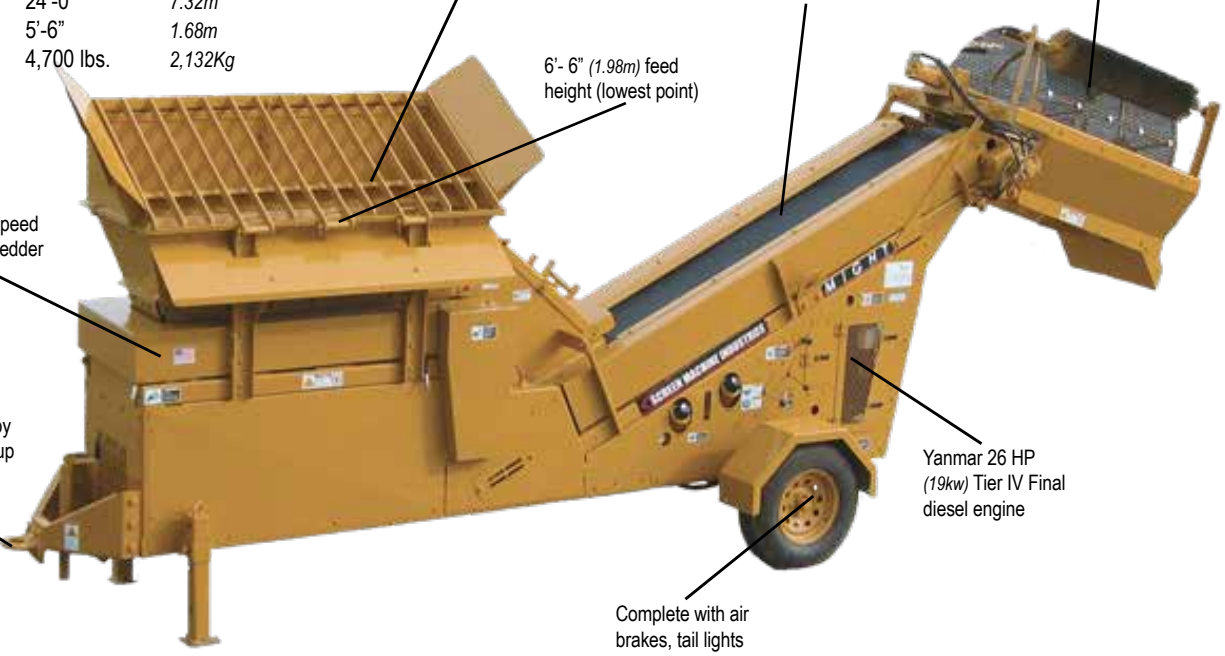
6'-6" (1.98m) feed height (lowest point)

22-blade high-speed hammermill shredder

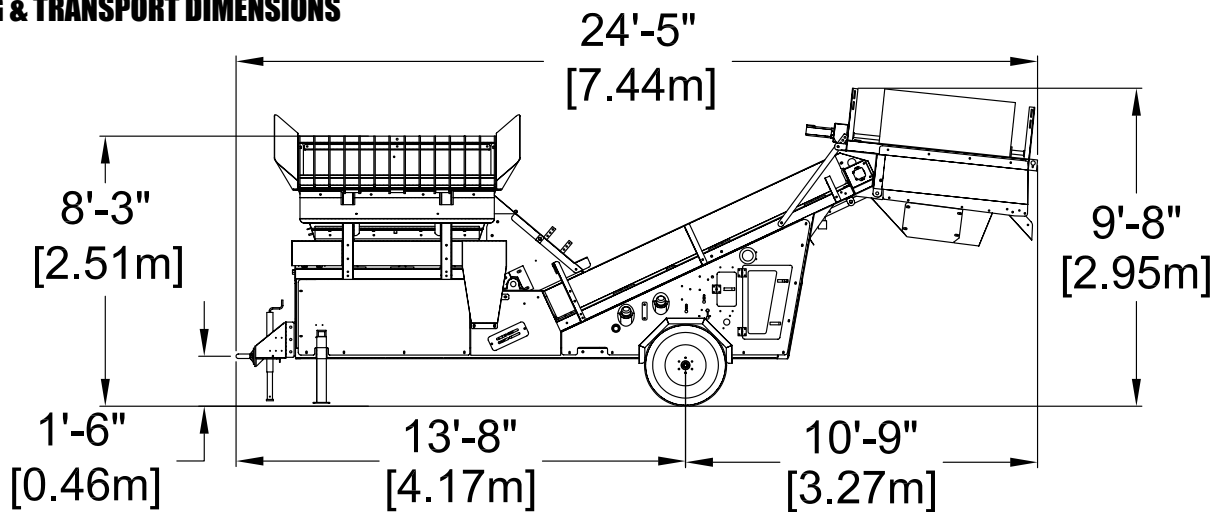
Can be towed by a full-size pick-up truck

Yanmar 26 HP (19kw) Tier IV Final diesel engine

Complete with air brakes, tail lights and mud flaps



OPERATING & TRANSPORT DIMENSIONS



SCREEN

- 3'-0" x 4'-0" (914mm x 1,220mm) trommel
- 38 Sq. Feet (3.53 Sq. Meters) screen
- Adjustable four-position screen angle
- Adjustable cleaning brush

SHREDDER

- High-speed hammermill shredder
- 22 free-swinging blades
- AR500 grade steel blades
- Multiple spring-mounted baffles to reject rocks

FEEDER

- 1 Cu. Yard (.914 Cu. Meter) hopper with hinged tipping grizzly
- 5" (127mm) nominal grizzly bar opening
- Variable speed feeder belt
- 6'-6" (1.98m) feed height (lowest point)
- Hopper to shredder feed opening 14" x 12" (356mm x 305mm)

POWER SYSTEM & STRUCTURE

- Yanmar® 26 HP (19kw) Tier IV Final diesel engine
- 29 gallon (110L) baffled hydraulic tank
- Hydraulic oil cooler
- Multiple position landing gear for level operation
- Enclosed engine and tank region
- Fenders and lights
- Electric brakes and safety chains

BELTS, PULLEYS & IDLERS

- Feeder belt is 18" (457mm) wide
- Main belt is 18" (457mm) wide
- Lagged head pulleys and wing type tail pulleys
- 4" (102mm) troughing and rubber disc returns

LOADER OPERATION MATCH

- 1/2 Cu. Yard loader (.46 Cu. Meter)

Height	Length	Width	Weight	Trommel Size	Trommel Sq. Ft.	Conveyor Width	Discharge Height	Engine	Fuel Capacity	Hydraulic Capacity
9'-9"	24'-0"	5'-6"	4,700lbs	3'-0"x4'-0"	38'	18"	9'-8"	Yanmar	16.5gal	29gal
2.97m	7.32m	1.68m	2,132kgs	914mm x1,220mm	3.53m	460mm	2.95m	26 HP 19kw	62.5L	110L