

SCREEN MACHINE®

AMERICAN-MADE INNOVATION SINCE 1966

514TS SPYDER SCREEN PLANT

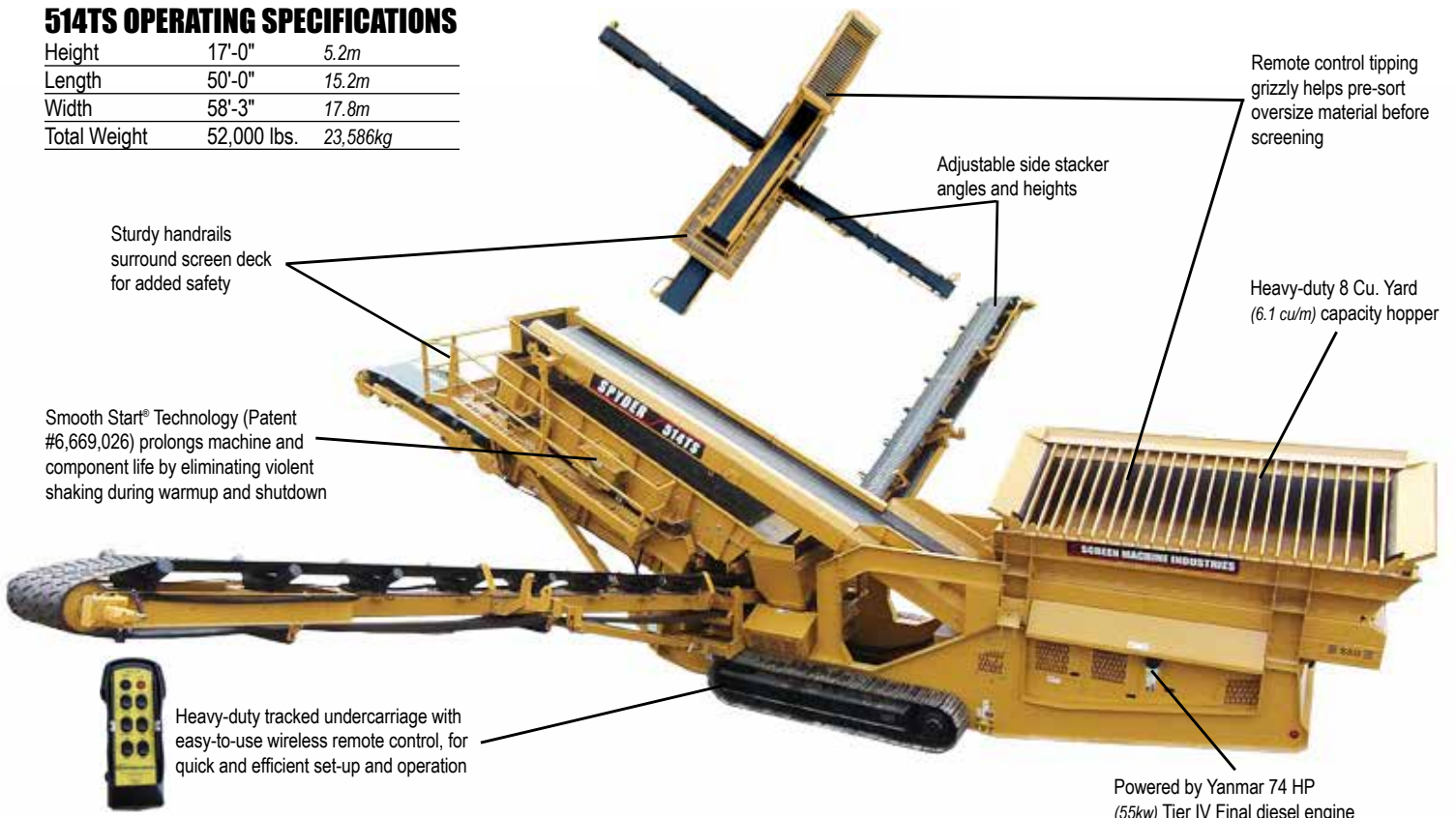


SECONDARY SCREEN SUPERSTAR!

- **Reliable High-Capacity Screening Plant**
- **Proven Productivity And Dependability**
- **Patented Smooth Start® Technology**

514TS OPERATING SPECIFICATIONS

Height	17'-0"	5.2m
Length	50'-0"	15.2m
Width	58'-3"	17.8m
Total Weight	52,000 lbs.	23,586kg



Sturdy handrails surround screen deck for added safety

Smooth Start® Technology (Patent #6,669,026) prolongs machine and component life by eliminating violent shaking during warmup and shutdown



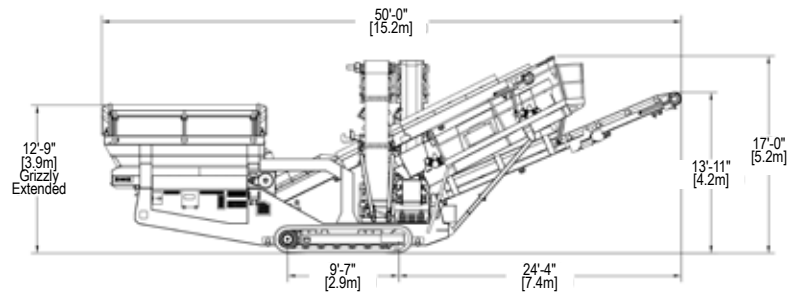
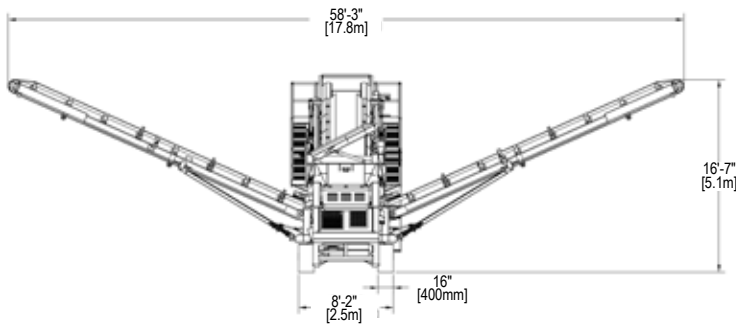
Heavy-duty tracked undercarriage with easy-to-use wireless remote control, for quick and efficient set-up and operation

Adjustable side stacker angles and heights

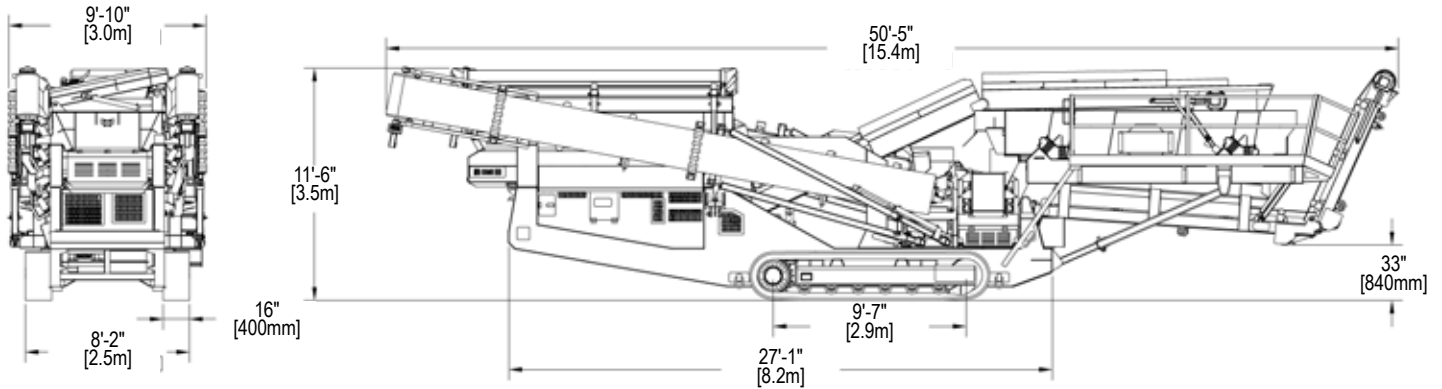
Remote control tipping grizzly helps pre-sort oversize material before screening

Heavy-duty 8 Cu. Yard (6.1 cu/m) capacity hopper

Powered by Yanmar 74 HP (55kw) Tier IV Final diesel engine



TRANSPORT DIMENSIONS



SCREENS

- Double deck, two-bearing screens
- 5'-0" x 14'-0" (1.5m x 4.3m) top deck
- 5'-0" x 12'-0" (1.5m x 3.7m) bottom deck
- Adjustable screen angles (4 operating positions)
- 1/4" (6mm) USA-made Grade 80 steel screen box walls
- Smooth Start™ Technology (US Patent #6,669,026)
- Main and Fines conveyors split from screen box for easy maintenance
- Top deck side tension wire screen cloth (included)
- Bottom deck end tension wire cloth or harp deck screens (included)

POWER SYSTEMS and CONTROLS

- Yanmar® 74 HP (55kw) Tier IV Final diesel engine
- 75 gallon (284L) fuel tank with lockable fuel cap
- 125 gallon (473L) baffled hydraulic tank
- Four (4) emergency stops plus (1) stop button on wireless remote

UNDERCARRIAGE

- Heavy-duty tracks with 8" (203mm) ground clearance
- 15.7" (400mm) shoe width with outside track dimension of 8'-2" (2.5m)
- Sealed and lubricated pins and bushings

MAIN/DISCHARGE WINDROW CONVEYORS

- 42" (1,067mm) main belt raises from screen box for maintenance
- Oversize and Midsize discharge belts are cleated and variable speed
- 16'-7" (5.1m) Oversize discharge height / 24" (610mm) belt width
- 13'-11" (4.2m) Fines discharge height / 42" (1,067mm) belt width
- 16'-7" (5.1m) Midsize discharge height / 24" (610mm) belt width
- Side discharge belt angles: 18°, 21°, 24°; Fines belt adjustable up to 23°

HOPPER/FEEDER

- 1/4" (6mm) thick steel side walls
- 9 7/8" (251mm) center-to-center spacing on idlers
- 5" (127mm) diameter center idler cans
- 42" (1,067mm) wide 3-ply 330 PIW belt
- Hydraulic motor drive with 12" (305mm) lagged head pulley
- Low feed height - 9'-4" (2.8m) without grizzly
- Feed height of 12'-9" (3.9m) at high side of grizzly (3 height settings)
- 8 Cu. Yard (6.1 Cu. Meter) hopper capacity
- Feed opening 13'-0" x 5'-0" (4m x 1.5m) without grizzly
- Feed opening 14'-0" x 5'-0" (4.3m x 1.5m) with grizzly
- Feed Match: 3-4 yd³ loader or 1-3 yd³ excavator

Height	Length	Width	Weight	Top Deck	Bottom Deck	Conveyor Widths			Discharge Heights			Engine	Tracks	Fuel Capacity	Hydraulic Capacity
						Oversize	Midsize	Fines	Oversize	Midsize	Fines				
17'-0"	50'-0"	58'-3"	52,000lbs	5'-0"x14'-0"	5'-0"x12'-0"	24"	24"	42"	16'-7"	16'-7"	13'-11"	Yanmar	15.7" wide	75gal	125gal
5.2m	15.2m	17.8m	23,586kg	1.5m x4.3m	1.5m x3.7m	610mm	610mm	1,067mm	5.1m	5.1m	4.2m	74 HP 55kw	400mm	284L	473L