

SCREEN MACHINE INDUSTRIES™

AN AMERICAN MANUFACTURER OF PORTABLE CRUSHING AND SCREENING PLANTS

MIGHT II SHREDDER/TROMMEL



10685 COLUMBUS PARKWAY, ETNA, OHIO 43062
1-740-927-3464 800-837-3344 (USA ONLY) WWW.SCREENMACHINE.COM

OVERVIEW

Screen Machine Industries is a global leader in crushing and screening equipment with manufacturing headquarters located in Columbus, Ohio, USA.

Grizzly prevents oversized material from entering the machine

High-speed hammermill shredder pulverizes topsoil to reduce oversize

Self-cleaning trommel screen accepts a variety of screen sizes

Variable speed feeder belt regulates flow of material through machine

Yanmar[®] diesel engine offers plenty of power to run all machine functions and optional stacking conveyor



KEY FEATURES

HAMMERMILL SHREDDER

- Powerful high speed 22 blade hammermill shredder
Free swinging blades with spring mounted baffle plates pulverize soil and compost materials without risk of stoppage
- AR500 grade steel blades for best in class life
- Multiple spring mounted baffles to reject rocks
Baffles allow rocks to pass without excessive wear on hammermill
- Hammermill shredder generates more fines with less oversize than screening alone
Eliminates the need to rerun oversize material through machine multiple times



TROMMEL SCREEN

- 3'-0" x 4'-0" (0.9m x 1.2m) heavy-duty trommel screen
38 square feet (3.53 sq. m) of screening surface area with sizes ranging from 1/4" to 3" (6mm to 75mm) for accurate separation of any type and size of material
- Variable screen angle adjustment
Adjust screen angle to match up to varying moisture levels in materials for maximum production efficiency
- Self-cleaning brushes
A self-cleaning, adjustable, nylon brush ensures a material free screen surface for continuous maintenance free operation



FEEDER AND CONVEYOR

- Large capacity hopper with wide opening and grizzly
 - Manual tipping grizzly with 6" (152mm) spacing prevents large rocks and wood from entering the hopper
- 18" (460mm) wide variable speed feeder belt conveyor
 - Hydraulically adjust the feed rate of material to the shredder and screen for maximum efficiency
- Lagged head pulleys, wing tail pulleys, rubber disc return idlers are standard
 - Ensures maintenance free belt operation through good traction and cleanliness
- The entire machine is manufactured from USA sourced A36 steel



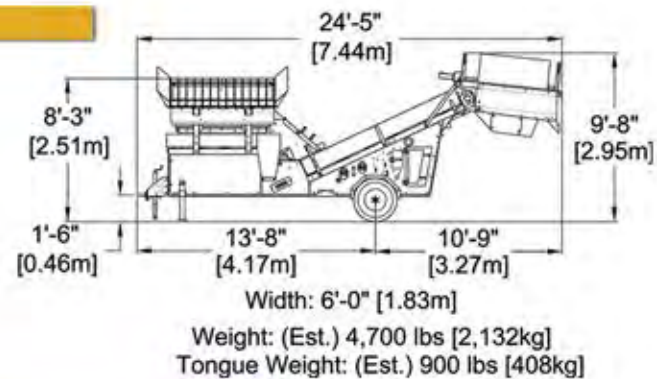
POWER SYSTEM & CONTROLS



- 26 HP Yanmar® diesel engine
- 29 gallon (110 liters) lockable hydraulic oil tank and cooler
 - Baffled tank with hydraulic oil cooler increases the life and efficiency of the hydraulic system
- 16.5 gallon (62.5 liters) lockable diesel fuel tank
 - Fuel efficient engine delivers 20 hours of production on a single tank
- Easy to operate control panel with lockable access doors

TRANSPORT

- Transportation with 3/4 ton pick-up truck
 - Equipped with standard pintle hook and electric brakes, easily towable with a truck
- Built-in trailer jack and support legs for quick loading and unloading



STACKING CONVEYOR



- Optional 18" x 30'-0" (460mm x 9.14m) radial stacking conveyor
 - Provides the ability to produce large radial stockpiles of finished materials without double handling
- Optional hydraulic power conversion kit
 - The ability to drive the stacking conveyor from the Might II's engine and hydraulics eliminates the need for an additional power module

PRODUCT SUPPORT

- Factory headquarters located in Columbus, Ohio
- Lifetime toll free engineering telephone support (USA only)
- USA sourced name brand parts
- Rapid response parts availability
- Extensive distributor network
- Detailed operational, service & parts manuals

SCREEN MACHINE INDUSTRIES™

AN AMERICAN MANUFACTURER OF PORTABLE CRUSHING AND SCREENING EQUIPMENT

Screen Machine Industries LLC is an innovative American manufacturer of portable machinery dedicated to material crushing, screening and stockpiling. Our product offering provides solutions ranging from 15-600 tons/yards per hour across a vast array of applications (such as sand & gravel, concrete & asphalt, topsoil & compost products). Our successful engineering philosophy is to incorporate reliable brand name components and industry leading features with the highest quality manufacturing techniques. This philosophy has prominently driven our success since 1966.



Screen Machine Industries LLC
Corporate Headquarters

The manufacturing process includes the utilization of CNC fabrication equipment, robotic welders, advanced painting facilities and highly skilled mechanical technicians assembling these machines. Multiple levels of quality control and thorough run-time inspections are in place to ensure the quality and reliability that we demand and that you expect.



Screen Machine Industries LLC continues to make substantial investments in research and development. Our highly skilled engineers, combined with the latest computer technology, create the most innovative products in the crushing and screening industries. Numerous U.S. Patents have been awarded as a result of our creative ambition in developing machinery that we feel is superior to any in the industry. We also strive to add the best design engineers available to our organization. Our engineers are graduates of MIT and other prestigious universities throughout the United States.



Our diverse product line consists of heavy-duty, track-mounted Jaw, Cone and Impact Crushers, Spydors, Scalpers, Trommels and Conventional Screening and Shredding Plants. Our portable stacking conveyors complete the product lineup with sizes available to fit most every job.



SCALPER 107T



612T TROMMEL



SCALPER 77C



SCALPER 107D



4043T IMPACT CRUSHER

SCREEN MACHINE INDUSTRIES™ LLC

10685 Columbus Parkway

Etna, Ohio 43062 USA

1-740-927-3464 800-837-3344 (USA Only)

Email@screenmachine.com

www.screenmachine.com



012014

DISTRIBUTED BY: