



JXT JAW CRUSHER

- Blockage Clearance/Tramp Iron Relief System Clears Chamber Of Uncrushables
- Heavy-Duty Crusher For All Applications

JHT JAW CRUSHER

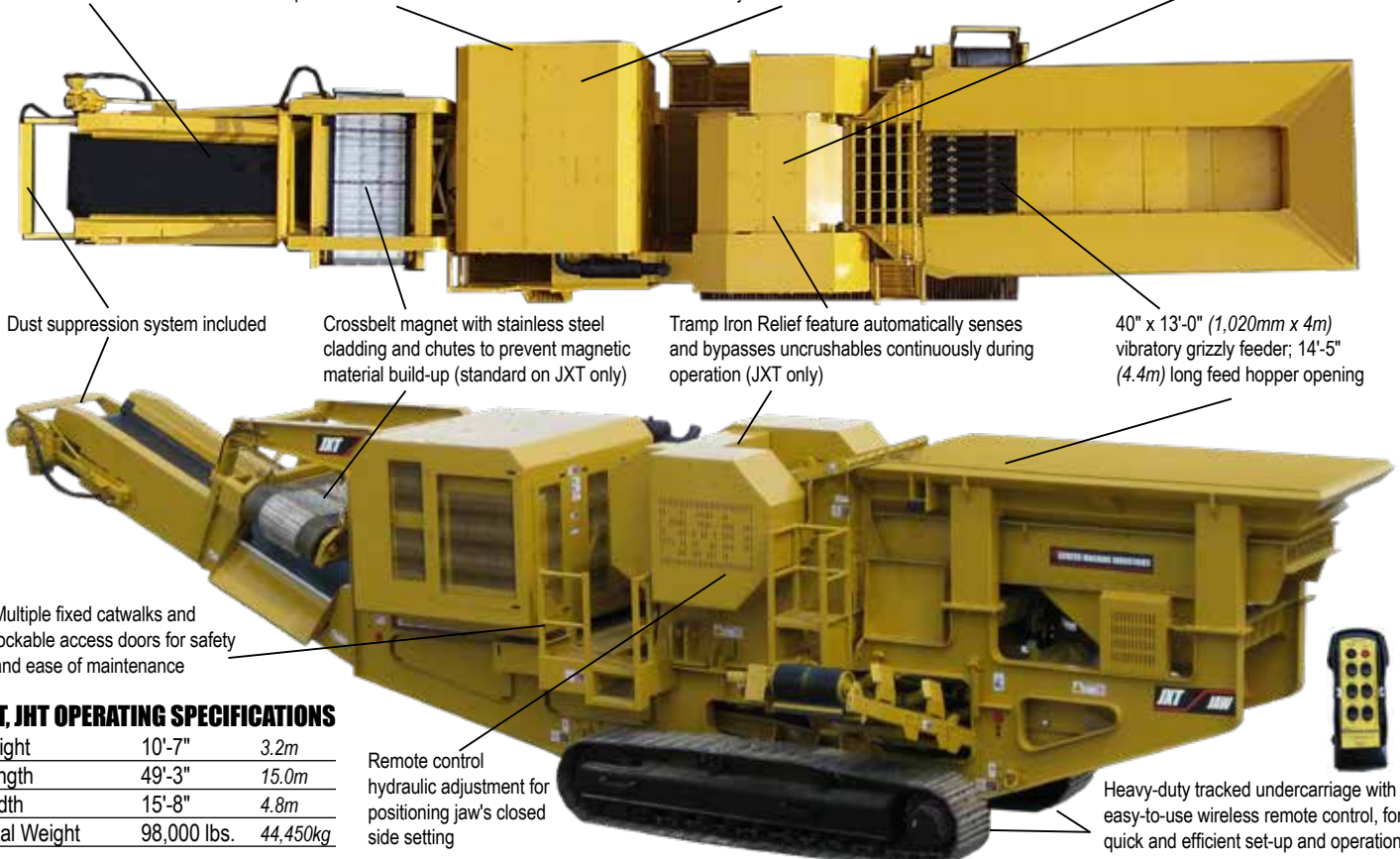
- Heavy-Duty Jaw Crusher Designed For Maximum Productivity
- As With The JXT, A Steep Toggle Angle Delivers Aggressive Toe-Crushing Action

Directionally reversible, 42" (1,067mm) wide conveyor with impact bed and guide idlers creates maintenance-free material flows

Digital control panel monitors all machine activity and updates the operator of any potential issues

CAT® C-9.3B 376HP (280kw) Tier IV Final diesel engine or Volvo® D11 355HP (265kw) Tier IV Final diesel engine with direct power to the crusher. Transfluid® fluid coupling eliminates expensive mechanical clutch or hydraulic issues

Large 26" x 45" (660mm x 1,143mm) jaw size. Steep toggle angle creates strong toe action for continued productivity



Dust suppression system included

Crossbelt magnet with stainless steel cladding and chutes to prevent magnetic material build-up (standard on JXT only)

Tramp Iron Relief feature automatically senses and bypasses uncrushables continuously during operation (JXT only)

40" x 13'-0" (1,020mm x 4m) vibratory grizzly feeder; 14'-5" (4.4m) long feed hopper opening

Multiple fixed catwalks and lockable access doors for safety and ease of maintenance

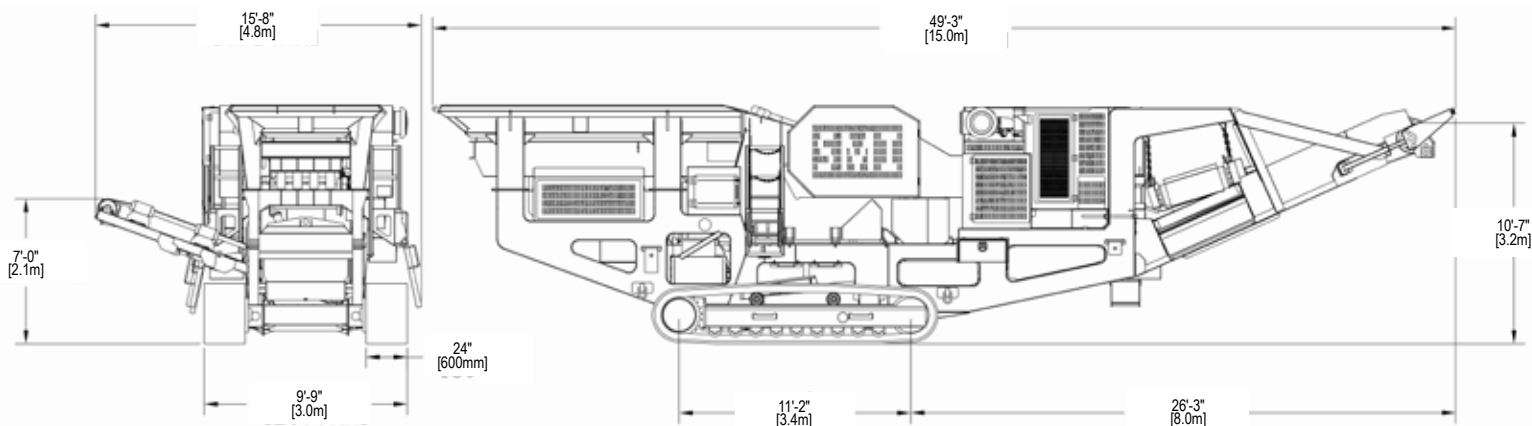
Remote control hydraulic adjustment for positioning jaw's closed side setting

Heavy-duty tracked undercarriage with easy-to-use wireless remote control, for quick and efficient set-up and operation

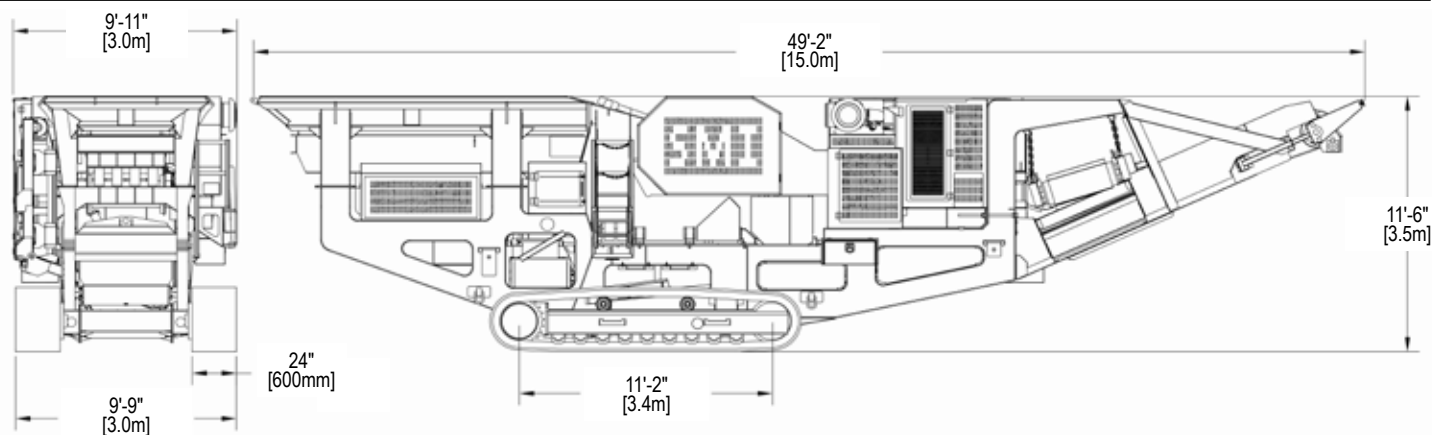
JXT, JHT OPERATING SPECIFICATIONS

Height	10'-7"	3.2m
Length	49'-3"	15.0m
Width	15'-8"	4.8m
Total Weight	98,000 lbs.	44,450kg

OPERATING DIMENSIONS



TRANSPORT DIMENSIONS



CRUSHER

- 26" (660mm) x 45" (1,143mm) jaw crusher
- Automatic tramp iron and blockage clearance relief (JXT only)
- Cast steel pitman with toeless design
- 1-1/4" (31.75mm) eccentric shaft throw on steep angle jaw
- Manganese jaw dies are reversible and interchangeable
- Jaw Dies — 1 belly die and 1 heavy flat die (standard)
- Rebar guard under crusher protects belt
- Protective grate above chamber safely contains material
- Maximum recommended feed size = 20" (508mm)

POWER SYSTEMS and CONTROLS

- CAT® C9.3B 376 HP (280kw) Tier IV Final diesel engine (or)
- Volvo D11 355 HP (265kw) Tier IV Final diesel engine
- 150 gallon (568L) baffled hydraulic tank and oil cooler
- 175 gallon (662L) diesel fuel tank capacity
- Lockable control panel and engine compartment

VIBRATORY GRIZZLY FEEDER

- 40" (1,020mm) x 13'-0" (4.0m) vibratory grizzly feeder
- 7'-1" (2.2m) wide x 14'-5" (4.4m) long feeder hopper
- Load over feed height 11'-6" (3.5m)
- Auto-temporary feed shutoff feature - at pre-set crusher speed
- Grizzly/crusher bypass lever for fines discharge
- AR400 grizzly bar section
- 1/2" (12.7mm) USA-made grade 80 steel hopper walls
- Remote control vibratory feeder speed (600-850 RPM)
- Floor bed features AR400 replaceable liners

PERMANENT MAGNET (Standard on JXT, Optional on JHT)

- Fully adjustable and direction reversible cross belt magnet
- Stainless steel chutes on each discharge region

CONVEYORS

- 42" (1,070mm) wide 440 PIW main discharge belt
- Martin Pit Viper belt cleaner for main belt
- Directionally reversible main belt
- Precision® head and tail pulleys with spherical bearings
- Impact bed lined with ultra-high molecular weight plastic
- 10'-7" (3.2m) main conveyor discharge height
- Dodge gear reducer with hydraulic drive motor
- Rubber disc return rollers to prevent material sticking
- Wing type tail pulleys for reliable uptime productivity
- Herringbone/lagged head pulley
- 24" (610mm) 220 PIW side discharge conveyor
- 7'-0" (2.1m) side discharge conveyor height

UNDERCARRIAGE and BUILD-OUT STRUCTURE

- 24" (600mm) triple grouser shoe pads
- USA-made grade 80 Steel unibody frame
- 4 emergency shutoff safety-stops on base unit
- 1 wireless remote shutdown button
- Non-slip decking platforms for safety
- Hinged platform decking for full maintenance access

LOADING OPERATION

- 8-Yard³ (6.1m³) feeder
- 2-6 Cubic Yard loader (1.5m³ - 4.6m³)

Height	Length	Width	Weight	Hopper	Jaw Opening	Main Conveyor	Discharge Height	Fines Stackers	Discharge Height	Engine	Crusher Speed	Tracks	Fuel Capacity	Hydraulic Capacity
10'-7" 3.2m	49'-3" 15.0m	15'-8" 4.8m	98,000lbs 44,450kg	7'-1"x14.5' 2.1m x4.4m	26"x45" 660mm x1,143mm	42" 1067mm	10'-7" 3.2m	24" 609mm	7'-0" 2.1m	Cat C-9.3 376HP (or) Volvo D11 355HP	285rpm	24" wide 600mm	175 gal 662L	150 gal 568L